

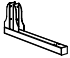


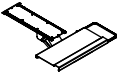







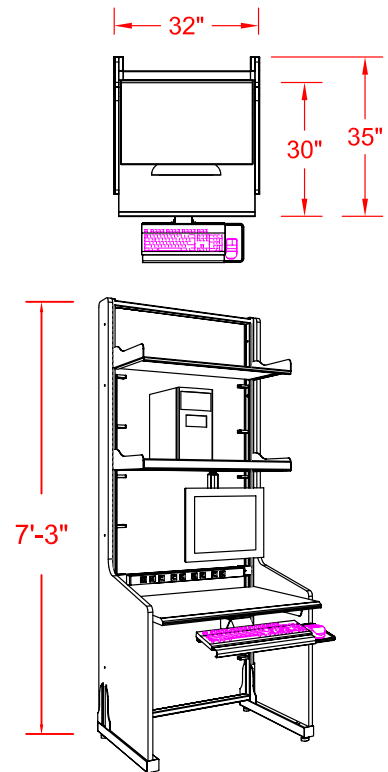
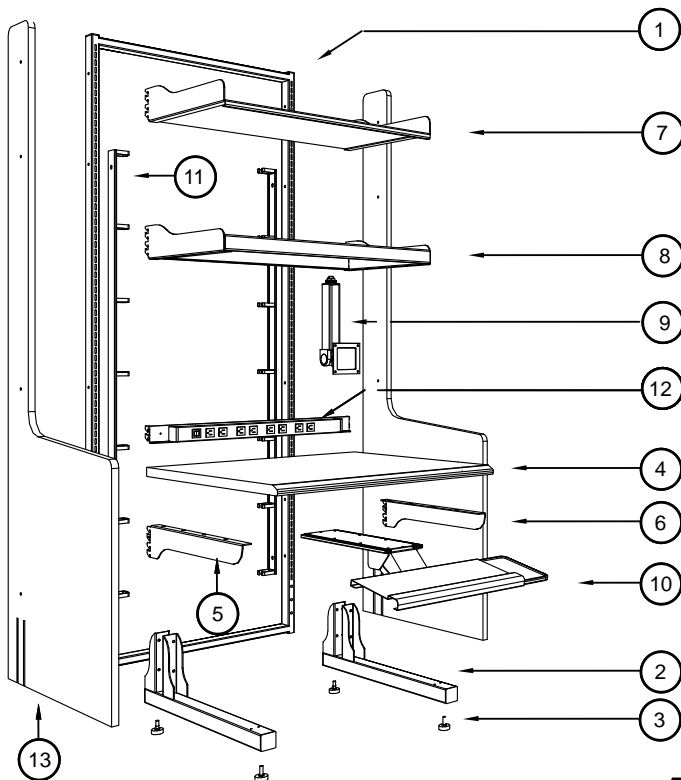


Item #	Illustration	Part Number	Qty.	Item #	Illustration	Part Number	Qty.
1		10-00084-300 Frame 84"H x 30"W	1	8		14-00230-000 30" Monitor Track Shelf	1
2		11-00010-000 Leg 2" x 2" x 30"	2	9		14-00300-003 LCD Suspension Arm	1
3		28-00110-000 Glider	4	10		25-00110-000 Under Desk Keyboard Tray with Mouse Plate	1
4		13-00030-300 Desktop 30"W x 30"D	1	11		38-00060-000 Vertical Cable Raceway 60"L for 72" & 84" Frames	2
5		13-00810-000 Desktop Bracket Left	1	12		46-00054-630 8 Port Power Strip, 15' Cord	1
6		13-00812-000 Desktop Bracket Right	1	13		18-00084-120 Desk End Panel 84"H, 6.5"W x 30"W	2
7		14-00030-000 Mounting Shelf 30"W x 18.5"D	1				



NEXT ASS'Y:	hergo
DATE:	