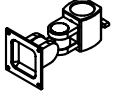



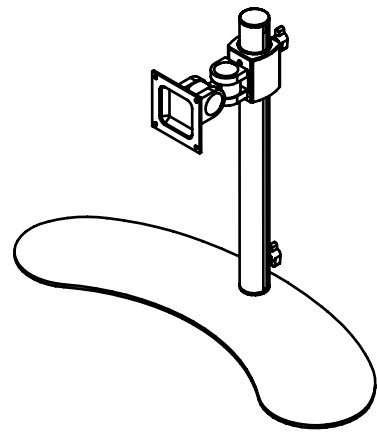
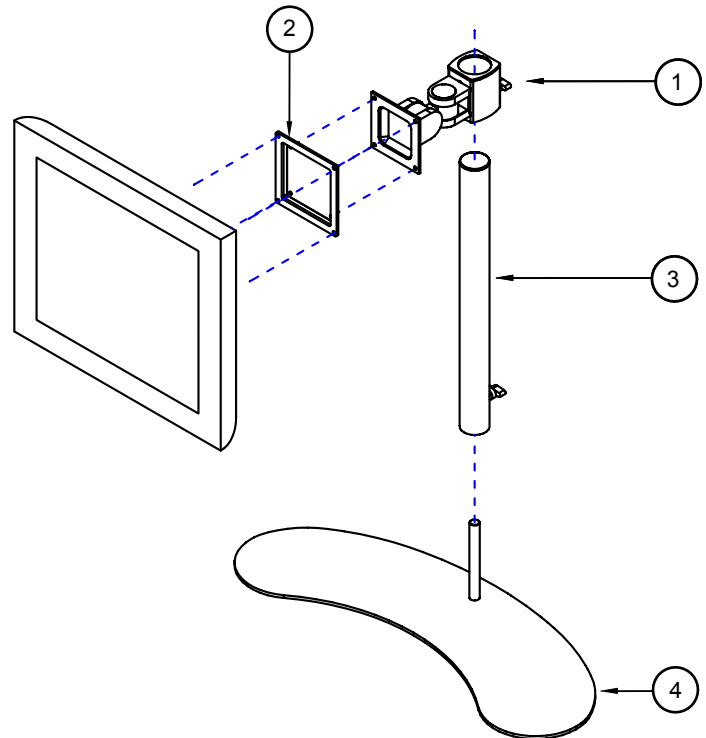
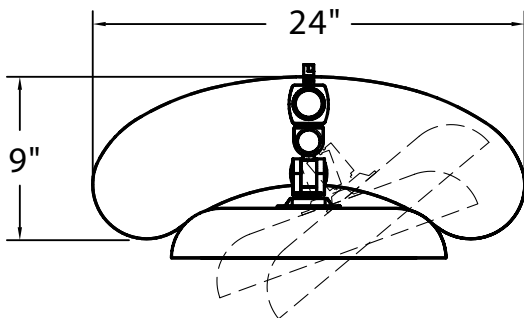
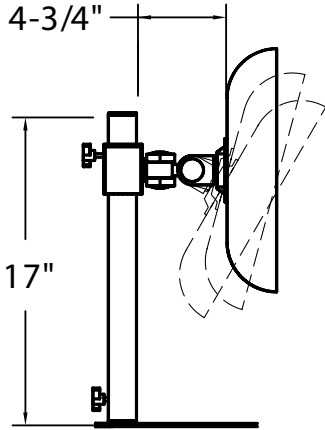


Item #	Illustration	Part Number	Qty.
1		LA-17Q 15-00049-17Q Flat Panel Post Mount	1
2		100-MM-PLATE 15-00090-100 100 mm Mounting Plate	1
3		PA-01P 15-00050-017 17" High Post With Knob	1
4		82-04100-100 Desktop LCD Holder (Base)	1



Assembly View



UNLESS OTHERWISE SPECIFIED
 DIMENSIONS ARE IN INCHES
 TOLERANCES
 2 PL DECIMALS ± .01
 3 PL DECIMALS ± .005

NEXT ASS'Y:

Configuration 95-HE502-030

DATE: 05/20/04