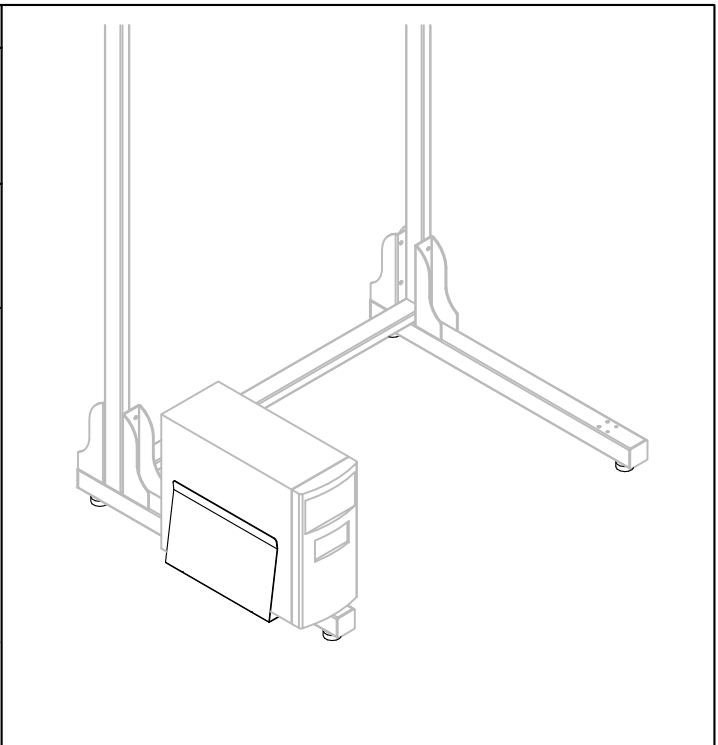




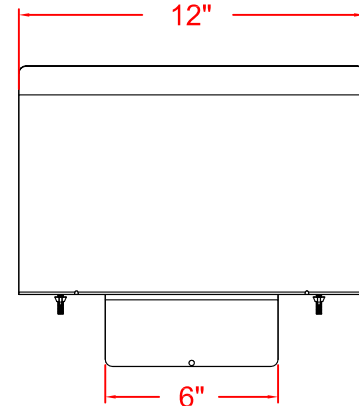
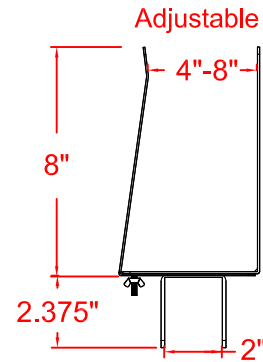
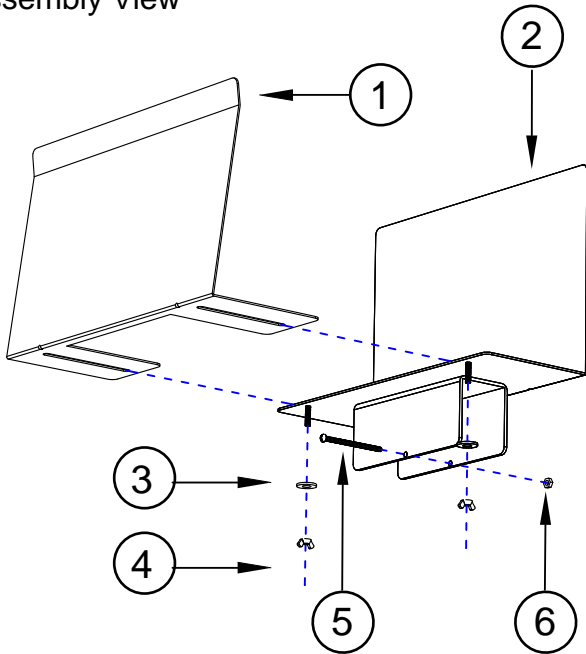
56-01 55TH AVENUE
 MASPETH, NY 11378
 888.222.7270
 www.hergo.com

PN 14-00830-000
 Leg Mount CPU Holder - Adjustable

Item #	Illustration	Part Number & Description	Qty.
1		82-02002-055 CPU Cradle Adjustable Side	1
2		82-02002-055 CPU Cradle L Base w/Bracket & Studs	1
3		83-28004-005 1/4" Washer	2
4		83-28002-033 1/4-20 Wing Nut	2
5		83-28001-053 8/32 x 2-3/4" SH RD Machine Screw	1
6		83-28002-058 8/32 Hex Nut	1



Assembly View



UNLESS OTHERWISE SPECIFIED
 DIMENSIONS ARE IN INCHES
 TOLERANCES
 2 PL DECIMALS ± .01
 3 PL DECIMALS ± .005

NEXT ASS'Y: _____
 DATE: _____

