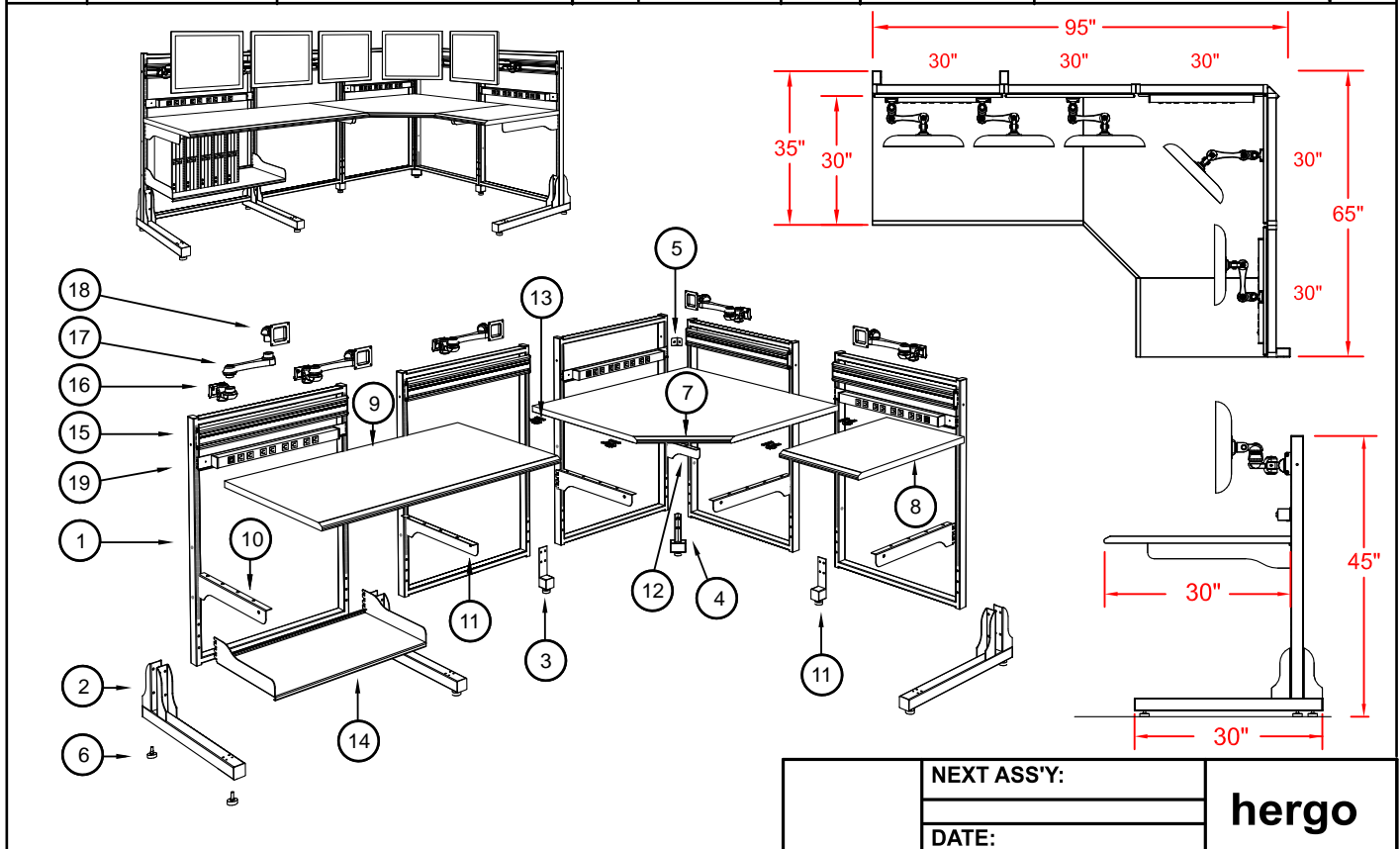


Item #	Illustration	Part Number	Qty.	Item #	Illustration	Part Number	Qty.
1		<b>10-00084-300</b> Frame 42"H x 30"W	5	11		<b>13-00812-000</b> Desktop Bracket Right	3
2		<b>11-00010-000</b> Leg 2" x 2" x 30"	3	12		<b>13-00820-000</b> Desktop Bracket Center	1
3		<b>11-00018-000</b> Center Support Leg	2	13		<b>13-00825-000</b> Desktop Joint Leveler	4
4		<b>11-00020-000</b> Corner Leg	1	14		<b>14-00030-000</b> 30"W Mounting Shelf	1
5		<b>11-00022-000</b> Corner Frame Bracket	1	15		<b>15-HE501-230</b> 30"W Mounting Track with Brackets	4
6		<b>28-00110-000</b> Glider	9	16		<b>15-HE514-056</b> Track Connection Mount	5
7		<b>13-00210-000</b> Corner Desktop 42 x 42 x 30	1	17		<b>15-HE512-000</b> 7" Extender Arm	5
8		<b>13-00240-000</b> Corner Desktop Leaf 18"	1	18		<b>15-HE511-000</b> Universal Joint LCD Mount Includes 100mm Mounting Plate (15-00090-100)	5
9		<b>13-00030-480</b> Desktop 48" x 30"	1	19		<b>46-00054-630</b> 8 Port Power Strip, 15' Cord	3
10		<b>13-00810-000</b> Desktop Bracket Left	2				



NEXT ASS'Y:

DATE:

**hergo**