

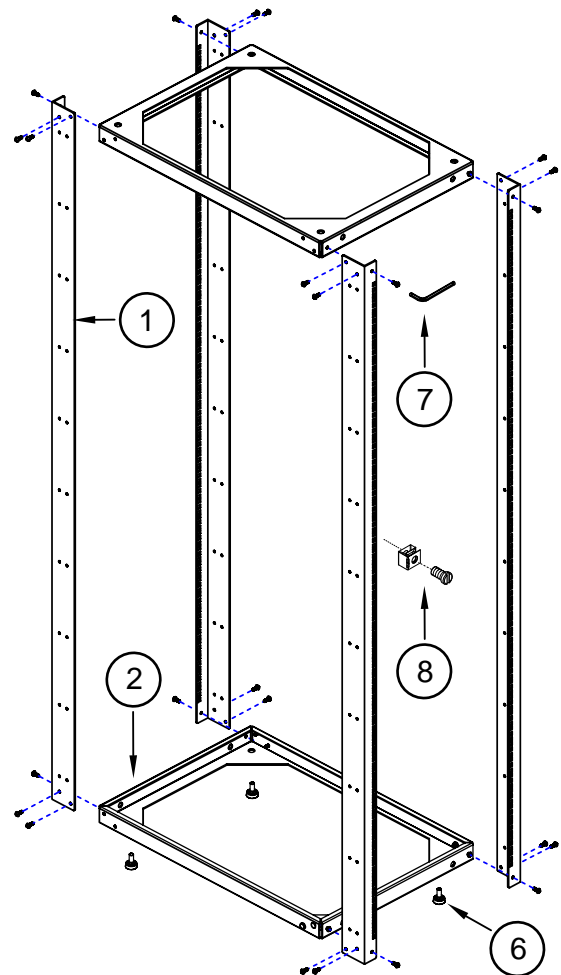


56-01 55TH AVENUE  
 MASPETH, NY 11378  
 888.222.7270  
 www.hergo.com

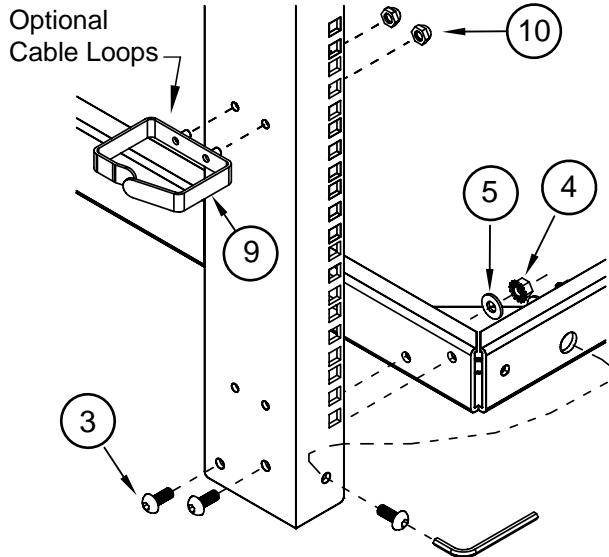
# iRack

Item #	Illustration	Part Number & Description	Qty.
1		Dim. A Upright	4
		12U" 82-04140-008	
		26U" 82-04140-009	
		42U" 82-04140-010	
2		Dim. B Top / Bottom	2
		24" 82-04140-024	
		30" 82-04140-030	
		36" 82-04140-036	
3		83-28001-034 1/4-20 x 5/8" Button Head Socket Cap Screw	24
4		83-28002-005 Kep Nuts 1/4-20	24
5		83-28004-005 1/4" Washer	24
6		28-00110-000 Glider	4
7		83-62001-020 5/32" Allen Key	2
8		83-28002-027 Screws & Cage Nuts (used to mount equipment)	20
<b>Optional</b>			
9		82-04140-040 Cable Loop	10
10		83-28002-014 8-32 Acorn Nut	20

Product #	Description	Depth
95-00242-024	42U iRack	24"
95-00242-030	42U iRack	30"
95-00242-036	42U iRack	36"
95-00226-024	26U iRack	24"
95-00226-030	26U iRack	30"
95-00226-036	26U iRack	36"
95-00212-024	12U iRack	24"
95-00212-030	12U iRack	30"
95-00212-036	12U iRack	36"



Attach Uprights to Top / Bottom as shown in detail below.



UNLESS OTHERWISE SPECIFIED  
 DIMENSIONS ARE IN INCHES  
 TOLERANCES  
 2 PL DECIMALS ± .01  
 3 PL DECIMALS ± .005

NEXT ASS'Y:

Configuration

DATE:

