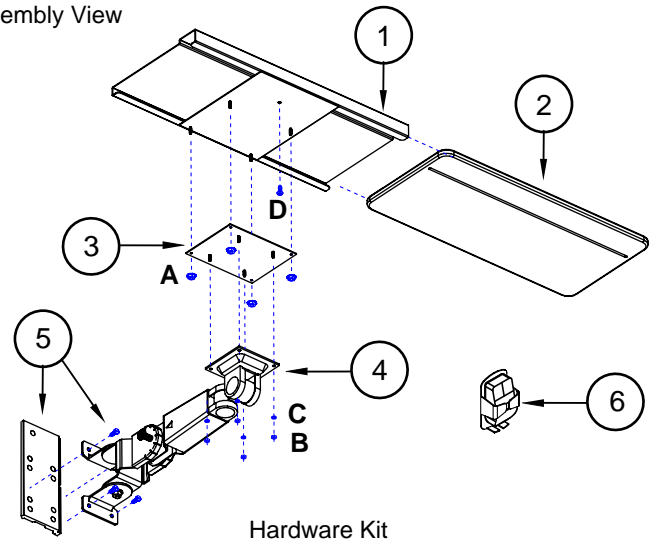


Keyboard / MouseTray Assembly			
Item #	Illustration	Part Number & Description	Qty.
1		83-02000-200 Keyboard Tray	1
2		83-02000-230 Mouse Tray Laminated Wood	1
3		83-02000-235 Adapter Plate for KB Tray	1
4		LA-12 15-00036-L12 Keyboard Arm	1
5		LA-251SP 15-00052-034 Track Plate for KB Arm (Includes 4 Screws)	1
6		MH-008 15-00220-025 Mouse Holder	1

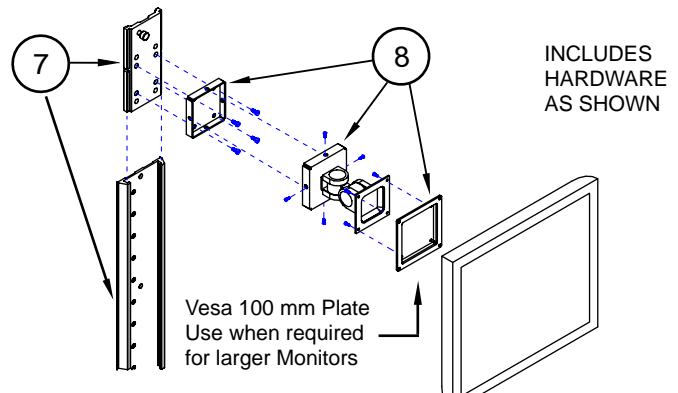
Assembly View



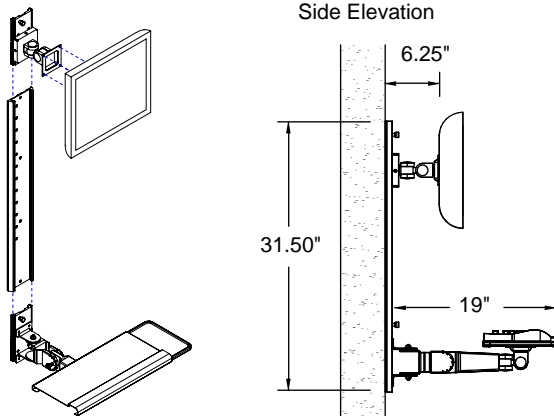
Hardware Kit

A	B	C	D
10-32 Locking Nut (83-28002-010)	6-32 Hex Nut (83-28002-060)	# 8 Split Washer (83-28004-015)	10-32 x 1/2 Phil HD. Screw (83-28001-037)
Qty. 4	4	4	1

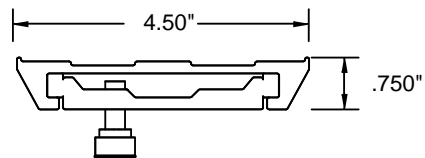
7		LA-251 15-00052-032 Wall Mount Track with LCD Mounting Plate	1
8		LA-17 15-00048-L17 LCD Mount <i>includes 100mm Plate</i>	1



Side Elevation



Track Dimensions



UNLESS OTHERWISE SPECIFIED
 DIMENSIONS ARE IN INCHES
 TOLERANCES
 2 PL DECIMALS ± .01
 3 PL DECIMALS ± .005

NEXT ASS'Y:

Configuration 95-HE502-030

DATE: 05/20/04