

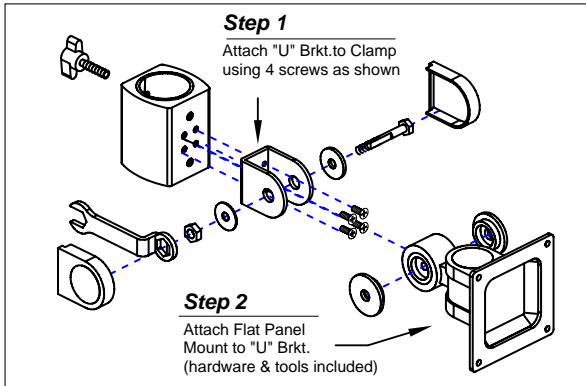
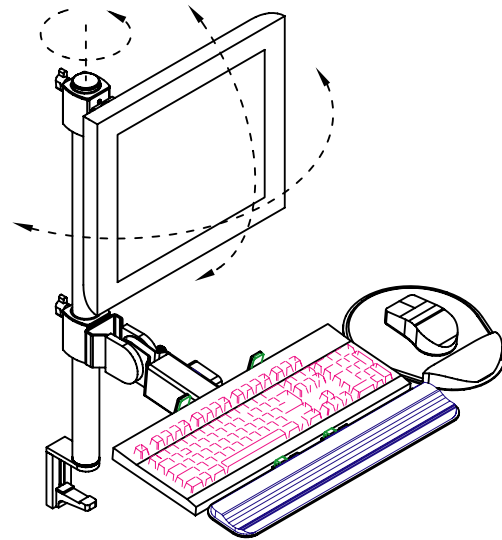


56-01 55TH AVENUE
 MASPETH, NY 11378
 888.222.7270
 www.hergo.com

24"H Desk Mount Post
 with LCD, Keyboard & Mouse Pad

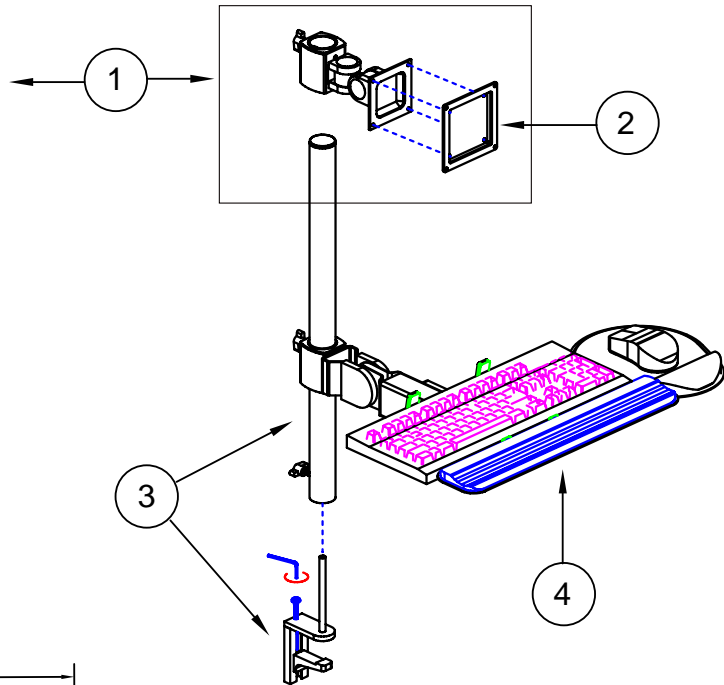
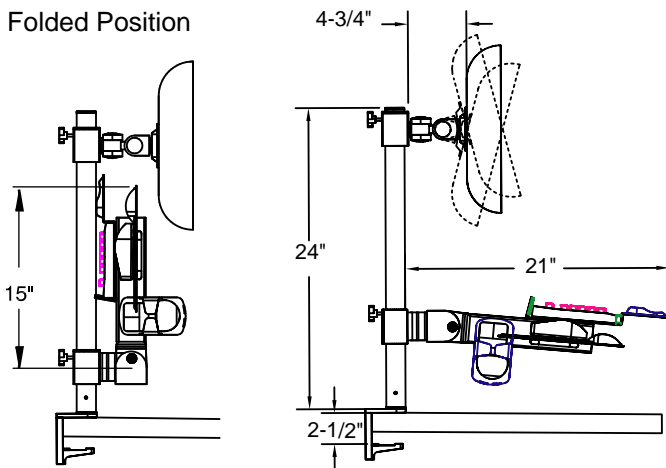
95-00146-106

Item #	Illustration	Part Number & Description	Qty.
1		LA-17QQN A- 15-00220-015 Post Clamp LA-17NQ B- 15-00049-17N Flat Panel Mount	1
2		15-00090-100 100 mm Mounting Plate	1
3		PA-02P 15-00050-024 24" High Post with Clamp and Hardware	1
4		LA-17QQN A- 15-00220-015 Post Clamp KA-01ANQ B- 15-00051-003 Keyboard/Mouse Tray	1



Assembly required as shown

Folded Position



UNLESS OTHERWISE SPECIFIED
 DIMENSIONS ARE IN INCHES
 TOLERANCES
 2 PL DECIMALS ± .01
 3 PL DECIMALS ± .005

NEXT ASS'Y:

DATE:

hergo