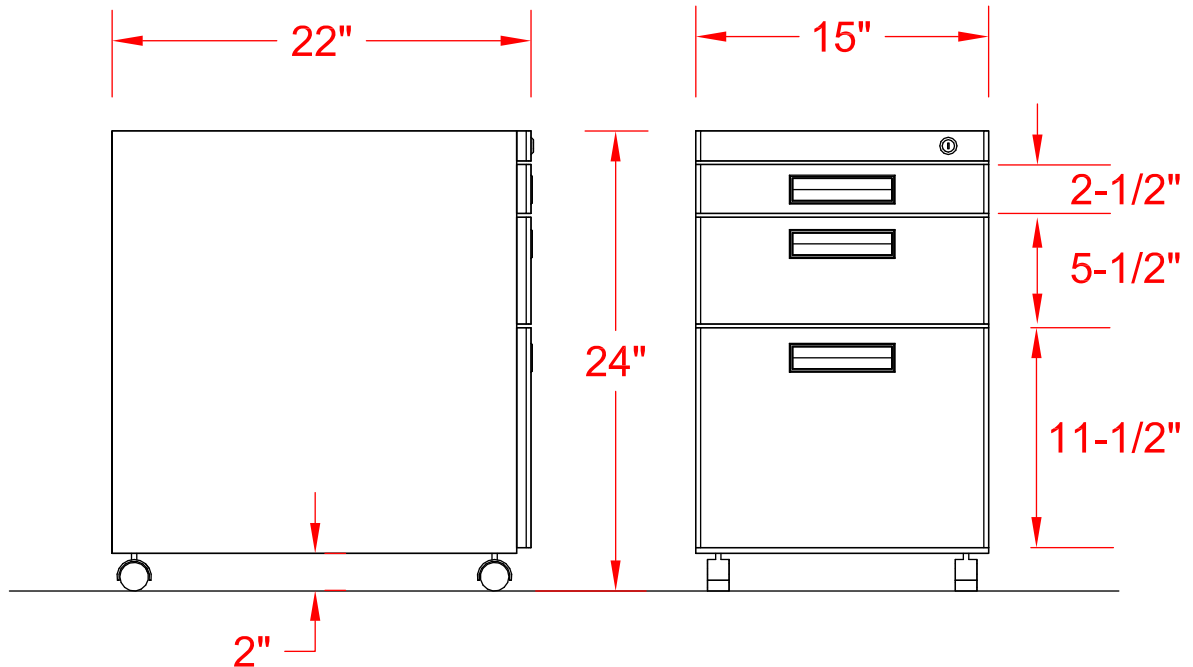
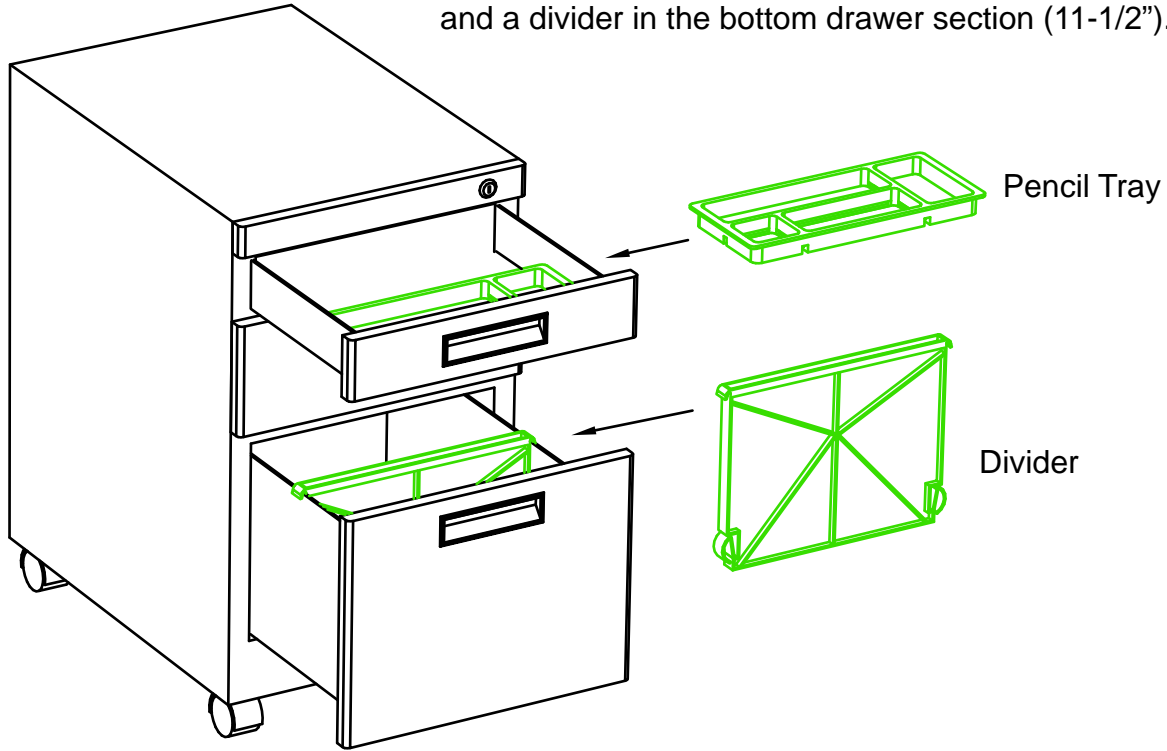



Unit includes a small pencil tray in the top section (2-1/2") and a divider in the bottom drawer section (11-1/2").



<small>UNLESS OTHERWISE SPECIFIED DIMENSIONS ARE IN INCHES TOLERANCES 2 PL DECIMALS ± .01 3 PL DECIMALS ± .005</small>	NEXT ASS'Y:	
	DATE:	