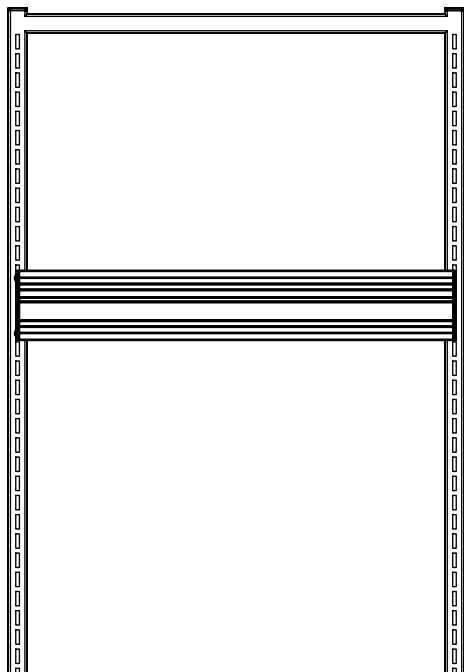
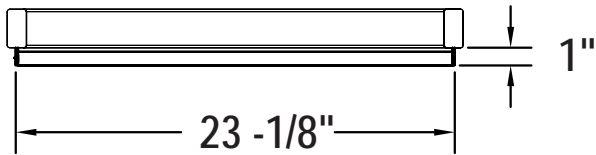
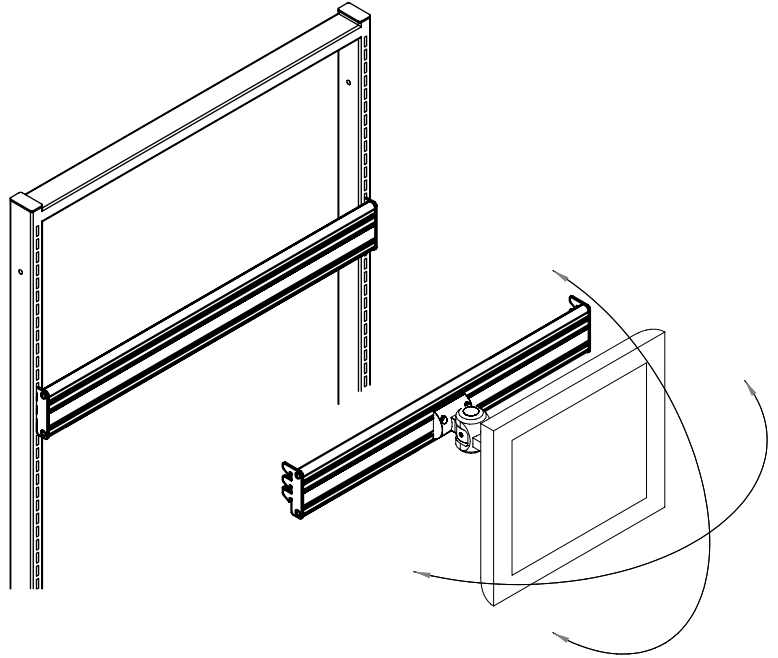




56-01 55TH AVENUE  
MASPETH, NY 11378  
888.222.7270  
www.hergo.com

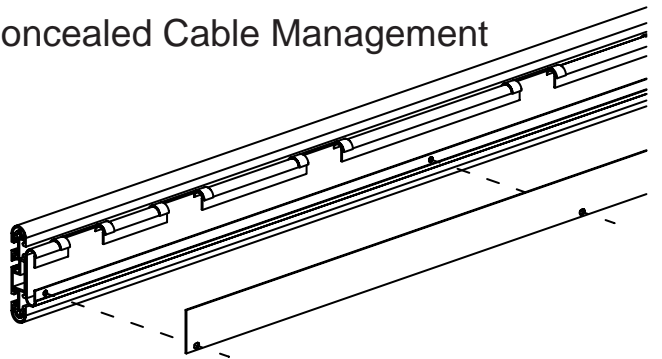
# 24" Frame Mount Track

(PN 15-HE501-224)



## Back View

## Concealed Cable Management



UNLESS OTHERWISE SPECIFIED  
DIMENSIONS ARE IN INCHES  
TOLERANCES  
2 PL DECIMALS ± .01  
3 PL DECIMALS ± .005

NEXT ASS'Y:

DATE: 10/28/2004

hergo