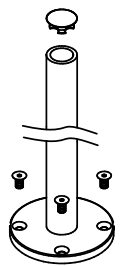
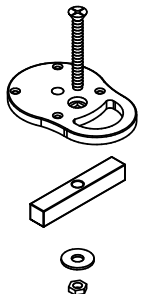
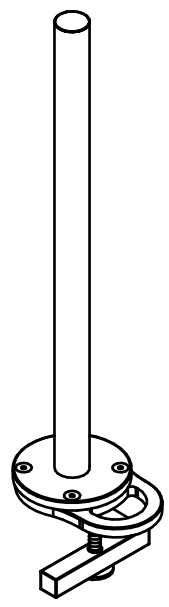
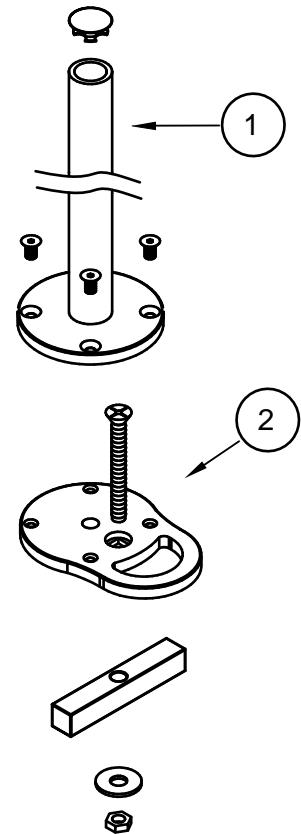
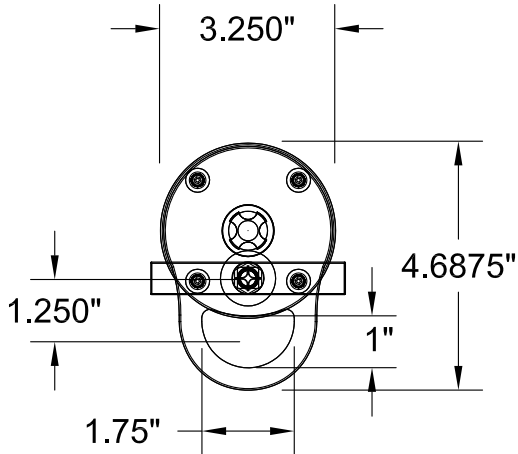
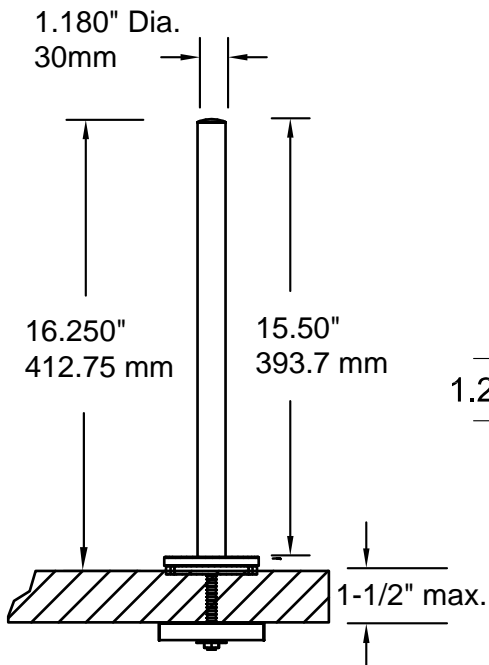


Item #	Illustration	Part Number & Description	QTY.
1		LA-501A 15-HE501-014 Orbiter Post Assembly	1
2		AL-92BD 15-HE501-020 Orbiter Grommet Mount Assembly	1



Assembly View



UNLESS OTHERWISE SPECIFIED
 DIMENSIONS ARE IN INCHES
 TOLERANCES
 2 PL DECIMALS ± .01
 3 PL DECIMALS ± .005

NEXT ASS'Y:

DATE: