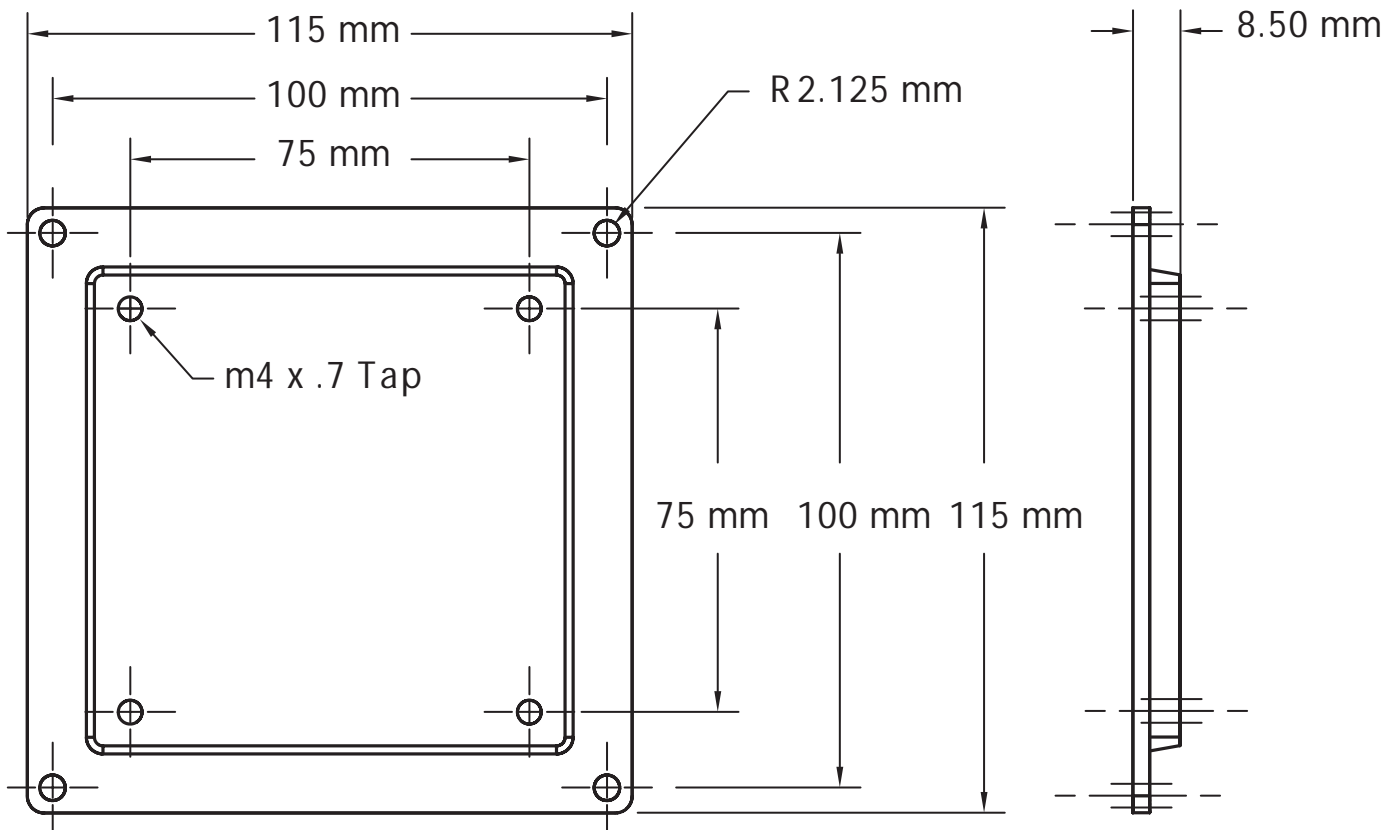
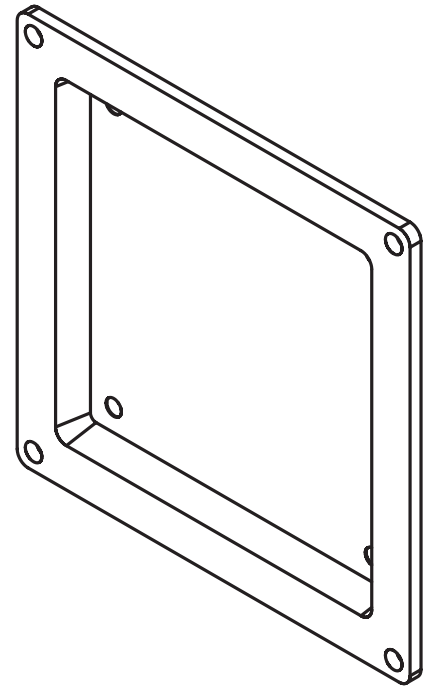




56-01 55TH AVENUE
MASPETH, NY 11378
888.222.7270
www.hergo.com

LCD 100mm Plate Adapter (PN 15-00090-100)



UNLESS OTHERWISE SPECIFIED
DIMENSIONS ARE IN INCHES
TOLERANCES
2 PL DECIMALS ± .01
3 PL DECIMALS ± .005

NEXT ASS'Y:

LCD 100 mm plate Adapter

Date: 11/27/02

hergo