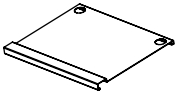

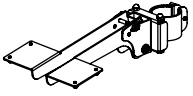

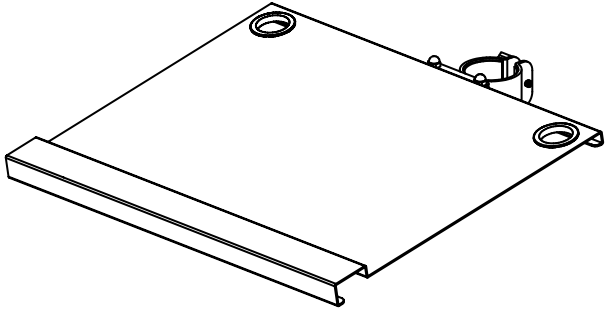
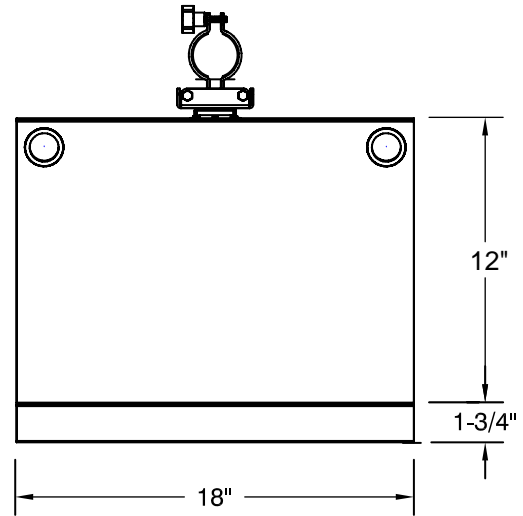
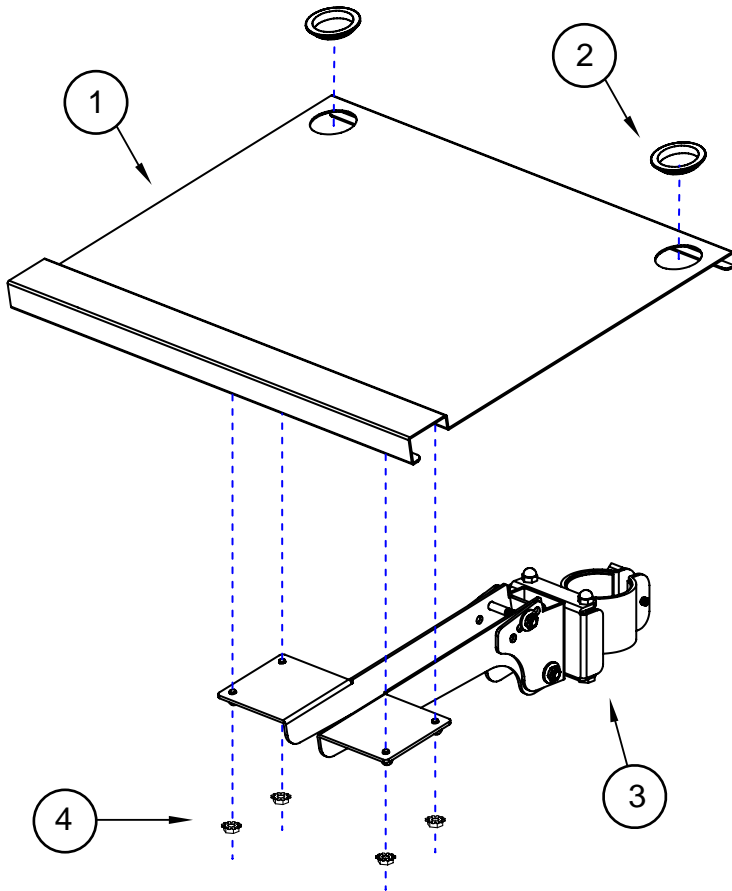


Item #	Illustration	Part Number & Description	Qty.
1		83-02000-120 Notebook Plate	1
2		24-09610-000 1-1/2" Plastic Grommet	2
3		83-02000-122 Notebook Bracket	1
4		83-28002-010 Kep Nut 10-32	4



Assembly View



UNLESS OTHERWISE SPECIFIED  
 DIMENSIONS ARE IN INCHES  
 TOLERANCES  
 2 PL DECIMALS ± .01  
 3 PL DECIMALS ± .005

NEXT ASS'Y:

DATE: