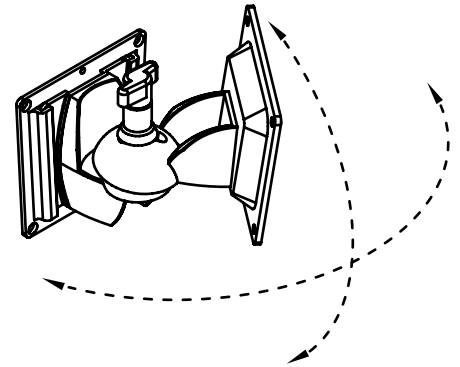
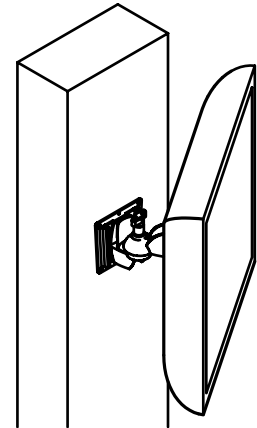
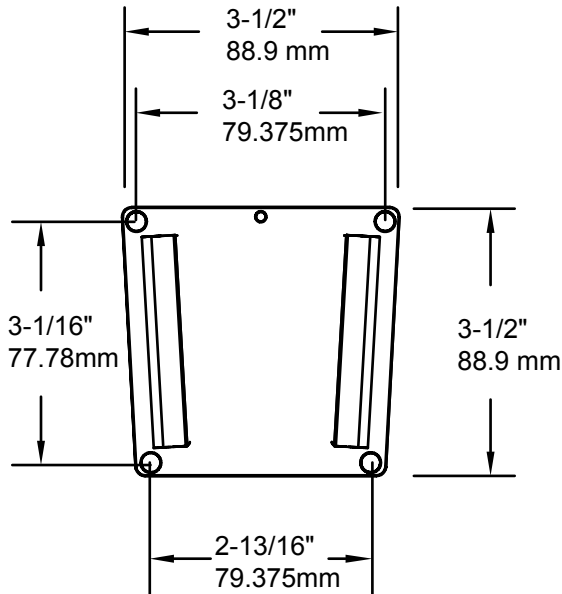
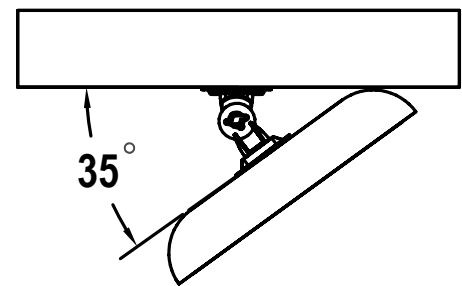


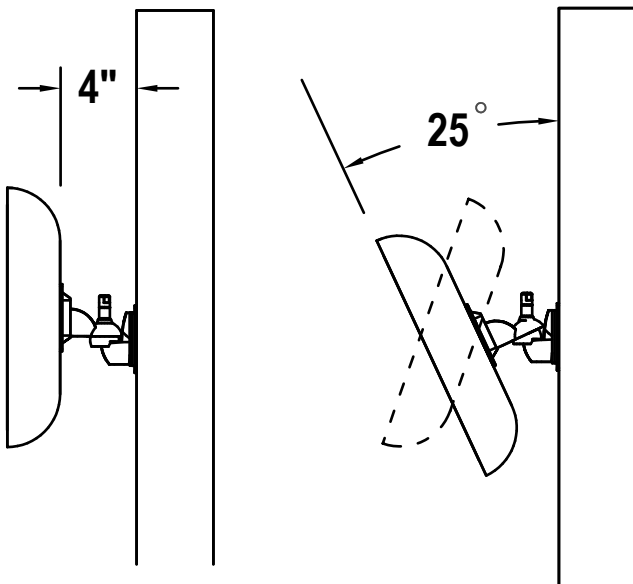
Wall Mount Plate Dimensions



Plan View



**35 degree Angle
 based on 17" Monitor**



UNLESS OTHERWISE SPECIFIED
 DIMENSIONS ARE IN INCHES
 TOLERANCES
 2 PL DECIMALS ± .01
 3 PL DECIMALS ± .005

NEXT ASS'Y:

FLAT PANEL ARMS 95-00146-102

DATE: 7/25/2002