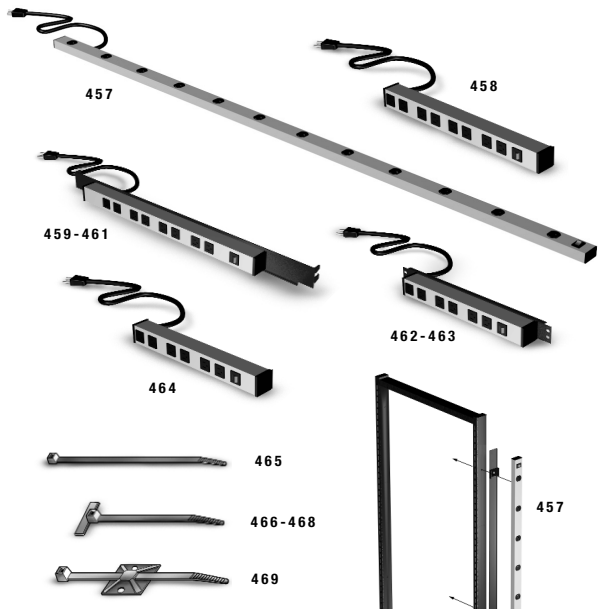


POWER DISTRIBUTION

- 15 Amp, 6' Power Cord**
457 46-00006-151 12 Port Power Strip, 15 Amp, (60" Long)
- 15 Amp, 15' Power Cord**
458 46-00010-156 8 Port Power Strip, 15 Amp, (24" Long)
- Power Strip Attachment - 8 Ports, 15 Amp, 15' Power Cord**
459 46-00050-624 8 Port, 15 Amp - For 24" Frame
460 46-00054-630 8 Port, 15 Amp - For 30" Frame
461 46-00058-836 8 Port, 15 Amp - For 36" Frame
- 19" Power Strip, 6' Power Cord**
462 46-00119-004 6 Ports
463 46-00119-008 6 Ports + Surge Protection
- Basic PC Surge Protection**
464 46-00500-000 6 Port Basic PC Surge Protector, EMI & RFI
- Cable Ties, Pack of 100**
465 47-00010-000 4" Long
466 47-00012-000 5.75" Long
467 47-00014-000 14.5" Long
468 47-00016-000 4.25" Long, with ID
469 47-00018-000 Mounting Base



HARDWARE

- 470 55-01150-000 **Hardware for Legs:** Cement Floor Mounting Kit
- Mounting Screws**
471 55-01152-000 10-32 - Bag of 25 Screws - for 19" Rackmount
472 55-01154-000 10-32 - Bag of 50 Screws - for 19" Rackmount
473 55-01156-000 12-24 - Bag of 25 Screws - for 19"/23" Relay Racks
474 55-01158-000 12-24 - Bag of 50 Screws - for 19"/23" Relay Racks
475 55-01160-000 M6 x 16mm - Bag of 25 Screws & Cage Nuts (Compaq® Style) - for Enclosure
476 55-01162-000 M6 x 16mm - Bag of 50 Screws & Cage Nuts (Compaq® Style) - for Enclosure



CABLE/MISCELLANEOUS

- AT/PS2 Adapter**
477 42-00010-000 Hergo AT-Male Keyboard PS/2 Female Adapter
478 42-00020-000 Hergo AT-Male PS/2 Mouse Female Adapter
- Extensions**
479 42-00030-000 Video Extension Cable
480 42-00032-000 Mouse Extension Cable
481 42-00034-000 Keyboard Extension Cable
- Mechanical Switch Box**
482 42-00040-000 A & B Mechanical Switch Box
483 42-00042-000 A, B, C & D Mechanical Switch Box
- Touch-up Paint**
484 99-00100-000 Spray Can
- CPU Floor Stands**
485 99-00140-000 Metal w/Casters
486 99-00160-000 Plastic
- Keyboards**
487 24-09087-000 Mini, 84 Keys, Less than 13" Long
488 99-00200-000 Windows 104 Keys, 18" Long
- Monitor Support**
489 99-00220-000 Monitor Arm - Extendible - Holds up to 17" Monitor, Weight Capacity 50 lbs.
490 99-00240-000 Monitor Stand - Clear Desktop Riser

